

# USO

## Handset

m l i t o r

The USO handset combines high-quality technology with an attractive and robust design. Excellent sound, pleasant material and break-resistant properties are the qualities that have made USO the handset of choice in museums and exhibitions worldwide.

**Magnetic holder** The handset is held in its magnetic base. It can be removed in all directions and easily finds back into its right place. In addition to an optimised version of the USO handset for use on walls, a special table version with cable return is also available.

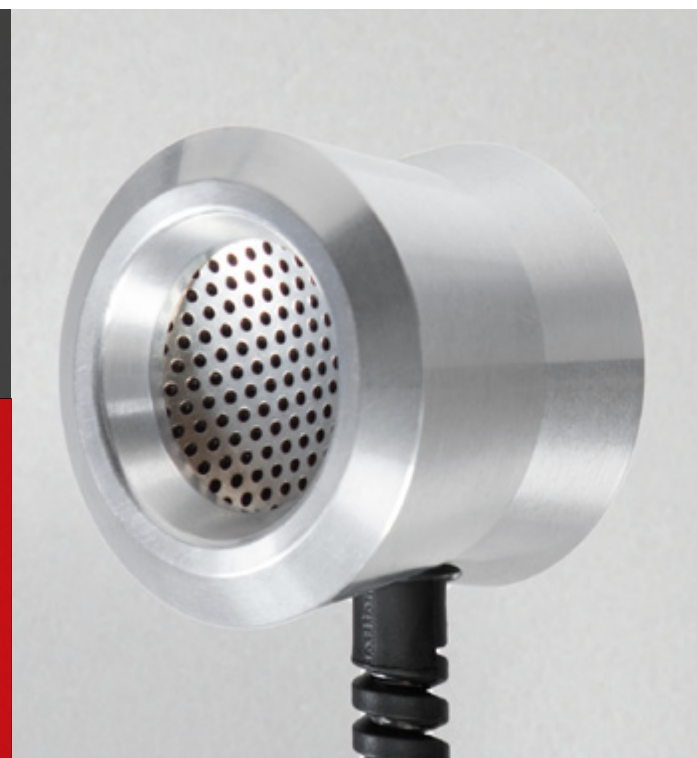
**Auto-start function** The built-in magnetic switch (reed contact) starts the sound or video clip automatically when the handset is picked up and also ends automatically when it is put back in place.

**Design** USO has a robust and stylish design which moves the impression of a handset as technical device into the background.

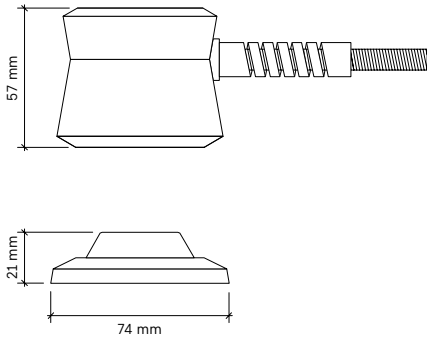
**Technical information** USO features high-quality, great sound, and has been tested thousands of times across the world. As an additional option it is made with a switch for the user to choose between two languages or different audio clips.

**Material** The USO handset base is made from a PVC synthetic material. The standard colours are black, dark grey and white. The cable is available in various lengths and it is particularly durable thanks to the flexible steel tube.

**Service** molitor offers short delivery times, its own repair service, custom-made products and a two-year guarantee.



## Technical data



<b>HANDSET</b>	
Weight (without base and protective tube)	220 g
<b>TUBE</b>	
Total length	2 m
Cable protection tube	1.25 m
Diameter	8 mm
<b>LOUDSPEAKERS</b>	
Impedance	32 ohms
Max. loading capacity	0.1 watts
<b>SENSOR</b>	
Switching capacity	10 watts
Switching voltage	max. 175 V (AC/DC)
Switching current	0.5 A

## More products

**AP01** is a versatile interactive audio player. The stand-alone device has a plug-and-play functionality and perfectly combines with our handsets.

The **VIA** handset is characterised through its high-quality technology and elegant design. VIA is available in many colours and materials and is therefore versatile.

**PLUX** is a simple and original handset which is recommended for listening stations in a temporary context and projects with low budgets.

In our manufacturing workshops in Berlin Kreuzberg we assemble the AP 01 audio player, produce the USO, VIA and PLUX handsets and construct exhibits. We take on every processing step from concept, design, prototype manufacturing, production, assembly, programming and commissioning to maintenance.

[www.molitor-berlin.de/produkte](http://www.molitor-berlin.de/produkte)  
[produkte@molitor-berlin.de](mailto:produkte@molitor-berlin.de)  
**+49 | 30 | 62 90 19 - 0**

### References molitor products

Babylonian Jewry Heritage Center, Or Yehuda, (IS) | California Academy of Sciences | CERN, Genf | Deutsches Technikmuseum, Berlin | Exploratorium, San Francisco | IWM, London | Jüdisches Museum, Wien | Landesmuseum Hannover | Museum Moesgård, Højbjerg (DK) | MUSE, Trient | Musée des Confluences, Lyon | Museo del Palacio de Bellas Artes, Mexico | Museo Nazionale della Scienza e della Tecnologia, Mailand | Museum of London | Museum of the City of New York | Nasjonalmuseet for kunst, arkitektur og design, Oslo | National Museum of Australia, Canberra | Shanghai Film Museum | Staatliches Museum für Politische Geschichte Russlands, St. Petersburg | Deutsches Hygiene-Museum, Dresden | Stiftung Stadtmuseum Berlin | Swedish Museum of Natural History, Stockholm | Technisches Museum Wien | The Manitoba Museum, Winnipeg (CA) | Zoo Zürich

**molitor**